

(19) World Intellectual Property
Organization
International Bureau



(43) International Publication Date
30 June 2005 (30.06.2005)

PCT

(10) International Publication Number
WO 2005/058445 A1

(51) International Patent Classification⁷: **A63G 21/20**

(21) International Application Number:
PCT/IB2004/004400

(22) International Filing Date:
14 December 2004 (14.12.2004)

(25) Filing Language: English

(26) Publication Language: English

(30) Priority Data:
60/529,913 15 December 2003 (15.12.2003) US

(71) Applicant (for all designated States except US): **ANTONIO ZAMPERLA S.P.A.** [IT/IT]; Via Monte Grappa, 15-17, I-36077 Vicenza (IT).

(72) Inventor; and

(75) Inventor/Applicant (for US only): **ZAMPERLA, Alberto** [IT/IT]; Contra Porta Lupia, 5, I-36100 Vicenza (IT).

(74) Agent: **KIRICZI, Sven, Bernhard**; Schneiders & Behrendt, Mühlthaler Strasse 91 D, 81475 München (DE).

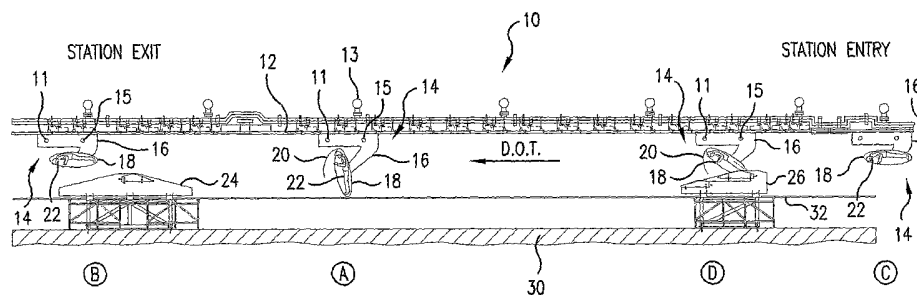
(81) Designated States (unless otherwise indicated, for every kind of national protection available): AE, AG, AL, AM, AT, AU, AZ, BA, BB, BG, BR, BW, BY, BZ, CA, CH, CN, CO, CR, CU, CZ, DE, DK, DM, DZ, EC, EE, EG, ES, FI, GB, GD, GE, GH, GM, HR, HU, ID, IL, IN, IS, JP, KE, KG, KP, KR, KZ, LC, LK, LR, LS, LT, LU, LV, MA, MD, MG, MK, MN, MW, MX, MZ, NA, NI, NO, NZ, OM, PG, PH, PL, PT, RO, RU, SC, SD, SE, SG, SK, SL, SY, TJ, TM, TN, TR, TT, TZ, UA, UG, US, UZ, VC, VN, YU, ZA, ZM, ZW.

(84) Designated States (unless otherwise indicated, for every kind of regional protection available): ARIPO (BW, GH, GM, KE, LS, MW, MZ, NA, SD, SL, SZ, TZ, UG, ZM, ZW), Eurasian (AM, AZ, BY, KG, KZ, MD, RU, TJ, TM), European (AT, BE, BG, CH, CY, CZ, DE, DK, EE, ES, FI, FR, GB, GR, HU, IE, IS, IT, LT, LU, MC, NL, PL, PT, RO, SE, SI, SK, TR), OAPI (BF, BJ, CF, CG, CI, CM, GA, GN, GQ, GW, ML, MR, NE, SN, TD, TG).

Published:
— with international search report

For two-letter codes and other abbreviations, refer to the "Guidance Notes on Codes and Abbreviations" appearing at the beginning of each regular issue of the PCT Gazette.

(54) Title: ROLLER COASTER



(57) Abstract: A roller coaster includes a cab that is rotatable between position for loading and unloading of passenger(s) and a position for riding the roller coaster. The cab includes a sliding pad mechanism, which is slidable on station entry and/or exit cams to move the cab between the two positions. In the position for loading and unloading the passenger(s), the cab is arranged so that the passenger(s) are non-parallel to a track of the roller coaster, and in the position for riding, the cab is arranged so that the passenger(s) are substantially parallel to the track.

WO 2005/058445 A1

ROLLER COASTER

FIELD OF THE INVENTION

The present invention relates to a roller coaster. More particularly, the present invention relates to a roller coaster including a cab that rotates between a
5 loading/unloading position, which may be a substantially vertical position relative to the ground, for loading and unloading of passenger(s), and a riding position, which may be a substantially horizontal position relative to the track along which the cab travels, for riding the roller coaster.

10

BACKGROUND INFORMATION

The growth of the amusement industry has led to the development of various exciting roller coaster designs. A roller coaster may allow the rider to securely soar in a
15 prone "superego" position. A roller coaster of this type is believed to be described in U.S. Patent No. 5,979,333.

Such prone riding roller coasters require a safe, controlled, reliable mechanism, involving minimum
20 maintenance, to rotate the cab from the substantially vertical position to the substantially horizontal position at the ride station exit and to rotate the cab from the substantially horizontal position to the substantially vertical position at the ride station entry.

While other roller coasters may be suitable for the
25 particular purpose employed, or for general use, they are not as suitable for the purposes of the present invention as disclosed hereafter.

SUMMARY

30 An exemplary embodiment of the present invention includes a roller coaster including a carriage and a cab

that rotates relative to the carriage between a position for loading and unloading of a passenger and a position for riding the roller coaster. This loading and unloading position may be substantially vertical relative to the ground, e.g., substantially perpendicular to the track, and the riding position may be substantially horizontal to the ground, e.g., parallel to the track.

The cab includes two sliding pads, which slide on station entry and exit cams for rotating the cab between the loading and unloading position and the riding position, e.g., between the substantially vertical and horizontal positions. The cab further includes a first arm pivotally connected to the cab on one end and having a first cam follower, e.g., a wheel, on the opposite end and a second arm pivotally connected to the cab on one end and having a second cam follower, e.g., a wheel, on the opposite end.

The station exit cam has an upward sloping portion in the direction of travel of the vehicle. The sliding plates slide over the station exit cam to pivot, rotate and/or otherwise move the cab relative to the carriage from the loading and unloading position to the riding position. As the carriage moves in the direction of travel towards the station exit, the first cam follower is guided over a first exit cam connected to station exit cam, pivoting the arm relative to the cab and triggering a locking mechanism which locks the cab in the riding position, e.g., a substantially horizontal position, relative to the carriage. This locking mechanism assures that the rider is maintained in the riding position, e.g., a prone position relative to the track, throughout the ride. The locking mechanism may include one or more security bars connected on one end to the cab and engaging a locking retainer on the carriage on the other end. The locking mechanism may also include one or more security bars connected on one end to the carriage and engaging a locking retainer on the cab on the other end.

Triggering of the locking mechanism extends the security bars into the locking retainer.

At the end of the ride, the carriage, still moving in the direction of travel, enters the station entry and passes
5 over a station entry cam. The first cam follower is guided over a first entry cam which pivots its connected arm such that the cab is unlocked from the carriage. The first and second sliding pads slide along the station entry cam, having a downward slope in the direction of travel of the
10 vehicle, causing the cab to pivot, rotate and/or otherwise move to a substantially vertical position as the carriage moves in the direction of travel. Further, the second cam follower is guided over a second entry cam causing the
15 second arm to rotate and trigger an opening of a cage used to secure the rider within the cab during the ride.

During the course of the ride, between the station exit and the station entry, the rider may be maintained in a riding position that is substantially parallel to the track at the instantaneous position of the rider relative to the
20 track. The track may include sloping portions relative to the ground and/or horizontal portions relative to the ground. During the course of the ride, or portion(s) thereof, motion and movement of the roller coaster along the track may be caused by gravity, a chain drive, motor drive,
25 linear motor drive, magnetic levitation drive, a magnetic propulsion system, a pneumatic system, a hydraulic system, a pulley system, a cable drive system, etc.

In an example embodiment of the present invention, a roller coaster includes: a carriage; a cab at least
30 pivotally connected to the carriage, the cab rotatable relative to the carriage between a first position substantially parallel to a track and a second position non-parallel to the track; and at least one of a station entry cam having a first predetermined profile and a station exit
35 cam having a second predetermined profile. The cab may

include a sliding pad mechanism configured to slide on at least one of the at least one of the station entry cam and the station exit cam to move the cab from a first one of the first position and the second position to a second one of the first position and the second position.

In an example embodiment of the present invention, a roller coaster includes: a track; a carriage movable along the track; a cab at least pivotally connected to the carriage, the cab at least rotatable relative to the carriage between a first position substantially parallel to the track and a second position non-parallel to the track; and at least one of a station entry cam having a first predetermined profile and a station exit cam having a second predetermined profile. The cab may include a sliding pad mechanism configured to slide on at least one of the at least one of the station entry cam and the station exit cam to move the cab from a first one of the first position and the second position to a second one of the first position and the second position.

In an example embodiment of the present invention, a roller coaster includes: track means; carriage means movable along the track means; cab means at least pivotally connected to the carriage means, the cab means including means for rotating the cab relative to the carriage means between a first position substantially parallel to the track means and a second position non-parallel to the track means; and at least one of station entry camming means and a station exit camming means. The cab means may include means for sliding on at least one of the at least one of the station entry camming means and the station exit camming means to move the cab means from a first one of the first position and the second position to a second one of the first position and the second position

Example embodiments of the present invention may be embodied in the form illustrated in the accompanying

drawings. Attention is called to the fact, however, that the drawings are illustrative only.

In the drawings, like elements are depicted by like reference numerals. The drawings are briefly described as follows.

BRIEF DESCRIPTION OF THE DRAWINGS

Figure 1 is a side elevational view of the roller coaster station entry and exit.

10 Figure 2 is a side elevational view of the station exit.

Figure 2A is back view of the vehicle and station exit of Figure 2 taken along the line 2A-2A.

15 Figure 3A is schematic view of a bottom portion of the cab just about to contact the station exit cam.

Figure 3B is a schematic view of a bottom portion of the cab with the first sliding pad sliding on the station exit cam.

20 Figure 3C a schematic view of a bottom portion of the cab with the second sliding pad sliding on the station exit cam.

Figure 4 is a side elevational view of the station entry.

25 Figure 4A is back view of the vehicle and station exit of Figure 4 taken along the line 4A-4A.

Figure 5A is schematic view of a bottom portion of the cab with the second sliding pad sliding on the station entry cam.

30 Figure 5B is schematic view of a bottom portion of the cab with the first sliding pad sliding on the station entry cam.

Figure 6 is a photograph including a front view of the cab and the cage in an opened position.

35 Figure 7 is a photograph including a perspective view of the cab and carriage.

Figure 8 is photograph including a side view of the vehicle just after it has passed over the station entry cam.

Figure 9 is photograph including a back perspective view of the vehicle just after it has passed over the station entry cam.

Figures 10 to 13 are photographs including various bottom perspective views of the cab.

Figure 14 is a side elevational view of an alternative station exit or entry cam including rollers.

Figure 15 is a top view of a portion of the station exit or entry cam of Figure 14 including an exemplary arrangement of the rollers of Figure 14.

Figure 16 is a top view of portion of the station exit or entry cam including another exemplary arrangement of the rollers of Figure 14.

Figure 17 is a side elevational view of an example embodiment of the roller coaster with a station exit or entry follower and a cam on the underside of the cab.

DETAILED DESCRIPTION

Figure 1 illustrates a side elevational view of an exemplary embodiment of a roller coaster station entry and exit of the present invention. An exemplary embodiment of a roller coaster 10 includes a vehicle 14 suspended from a track 12 and includes a carriage 16 and a cab 18. The carriage 16 is suspended from the track 12 at a front axle 11 and a rear axle 15. An arrow labeled D.O.T. indicates the direction of travel of the vehicle 14 as it passes through the stations. The carriage 16 may include a bumper to prevent steel-to-steel contact between the different vehicles in the station and on a storage track. While Figure 1 illustrates a single vehicle 14, it should be understood that several vehicles 14 may be provided, e.g., side-by-side, in tandem, etc.

The cab 18 includes a cage 20 and a cover, e.g., a plexiglass cover, for securing a rider 22 in the cab 18 and preventing the rider's extremities from passing outside a clearance envelope around the vehicle 14. Cage 20 may be
5 spring loaded, pneumatically actuated, hydraulically actuated, driven by a linear motor, rotary motor, geared transmission, chain/cable drive, cam driven, driven by a linkage system, etc.

The vehicle 14 is shown in various different ride
10 states in Figure 1. At ride state A, the cab 18 is in a loading/unloading position, e.g., substantially vertical relative to the ground and perpendicular to the track, allowing rider 22 to comfortably enter/exit the cab 18, e.g., by climbing up two or three steps on a ladder. The
15 weight distribution of the cab 18, i.e., gravity, maintains the cab 18 in the loading/unloading position. Cage 20, which is biased in the open position by gas springs, is closed by an operator securing the rider 22 in the cab 18. As the cab 18 passes over the station exit cam 24, ride
20 state B, it is gently forced into a locked riding position, e.g., substantially horizontal relative to the ground and parallel to the track, allowing the rider 22 to enjoy the roller coaster ride in a prone position with reference to the track, i.e., the rider 22 is substantially parallel to
25 the track between the station exit and the station entry, or between portions thereof. After completion of the ride, the rider 22 enters the station entry, ride state C, still in the prone position. The cab 18 then passes over the station entry cam 26, ride state D, and is gently rotated back to
30 the loading/unloading position. Platform 32 supports the rider 22 as he or she loads and unloads the cab 18. This system allows for a continuous flow during loading/unloading operations and supports to increase the capacity of the ride.

Figure 2 is a side elevational view of the station exit. The carriage 16 can be seen suspended to the track 12 via rollers 28 and is pushed by a series of kick-off motors 13. The cab 18 is pivotably connected to the carriage at a rotating axle 17. While still in the loading/unloading state, labeled State #1, and while moving in the direction of the arrow labeled D.O.T., a first sliding pad 34 connected to the cab 18 contacts station exit cam 24 and begins to slide on cam 24 on an upward slope causing the cab 18 to begin to rotate relative to the carriage 16. As the carriage moves further towards the station exit (in the figure, to the left), a second sliding pad 36 contacts station exit cam 24 and its sliding against station exit cam 24 further acts to rotate cab 18 relative to carriage 16 such that the cab 18 is in the riding position prior to leaving the station exit (State #2). A first cam follower 38, e.g., a wheel, connected to the cab 18 via arm 44 is guided, e.g., rolls, over a first exit cam 42 (shown in ghost lines because it is connected to the opposite non-visible of station exit cam 24) triggering the locking of cab 18 in the riding position relative to the carriage 16.

The locking mechanism may include one or more security bars connected on one end to the cab 18 and extendable into a locking retainer on the carriage 16. The locking mechanism may also include one or more security bars connected on one end to the carriage 16 and extendable into a locking retainer on the cab 18. The extension of the security bars may be triggered by the first cam follower 38 being guided over the first exit cam 42.

Locking/unlocking of the cab 18 and triggering of the locking/unlocking may be actuated by mechanisms other than the security bars, including proximity sensors, gas springs, solenoids, screw drives, linear motors, hydraulic systems, pneumatic systems, etc.

The first sliding pad 34 (also referred to as a skid plate) has a profile adapted to be in sliding contact with the station exit cam 24 over a first angular range between the loading/unloading position of the cab 18 and an intermediate angular position of the cab 18. In the intermediate position of the cab 18 both the first sliding pad 34 and the second sliding pad 36 (also referred to as a skid plate) are in sliding contact with the station exit cam 24. Upon further rotation of the cab 18 from the intermediate position toward the riding position, the first sliding pad 34 loses contact with the station exit cam 24, the cab 18 being thereafter rotated to the riding position by the sliding contact or camming action of the second sliding pad 36 and the station exit cam 24. As illustrated in the Figures, the second sliding pad 36 may be substantially flat and may be pivotable about an axis, e.g., by a pin connection, relative to the cab 18 to maintain sliding contact over substantially an entire surface of the second sliding pad 36. It should be appreciated that either one or both of the sliding pads 34, 36 may have any shape or may be stationary or pivotable in accordance with the desired pivoting motion of the cab 18 or in accordance with the profile of the station exit cam 24.

Figure 2A is a back view of the vehicle 14 taken along the direction of line 2A-2A in Figure 2. First exit cam 42 is shown connected on one side of the station exit cam 24. The second sliding pad 36 can be seen sliding on station exit cam 24. Further, a support member 58 for station exit cam 24 is shown fixed to the ground 30.

Figures 3A to 3C illustrate how the first sliding pad 34 and the second sliding pad 36 operate to rotate the cab 18 into the riding position at the station exit. Only a simplified bottom portion of the cab 18 is shown for clarity. Sliding pad 34 is pivotally connected at pivot point 40 to the cab 18 and towards an opposite end may

optionally be connected via a compression spring 46 to cab 18. Second sliding pad 36 is pivotally connected at pivot point 48 to cab 18.

5 Figure 3A illustrates the cab 18 still in the loading/unloading position with sliding pad 34 about to contact station exit cam 24.

10 Figure 3B illustrates the cab 18 a bit closer to the station exit with the sliding pad 34 in full contact with the station exit cam 24 and compression spring 46 in a fully compressed state. Sliding pad 34 slides along station exit cam 24 causing the cab 18 to pivot relative to the carriage 18.

15 Figure 3C illustrates the cab 18 even closer to the station exit. The first sliding pad 34 has lost contact with the station exit cam 24 and the second sliding pad 36 contacts the station exit cam 24. As the carriage 16 moves further towards the station exit, the second sliding pad 36 continues to slide along the station exit cam 24 forcing the cab 18 into the riding position, illustrated at ride state B
20 in Figure 1.

Figure 4 is a side elevational view of the station entry. As cab 18 passes over station entry cam 26 cam follower 38 is guided, e.g., rolls, over first entry cam 50 (shown in ghost lines because it is connected to the
25 opposite non-visible side of station entry cam 26) which pivots arm 44 and unlocks the cab 18 from the carriage 16. As indicated above, the locking mechanism may include one or more security-bars, in which case, guiding of cam follower 38 over the first entry cam 50 retracts the security bar
30 from the locking retainer on either the cab 18 or carriage 16. The station entry cam 26 via first sliding pad 34 pushes the vehicle 14 upward, e.g., about 4 to 5 mm. Second sliding pad 36 slides along station entry cam 26, having a downward slope, which causes the cab to rotate towards the
35 loading/unloading position. See, for example, the rider

states D and A in Figure 1. As the cab 18 travels further in the direction of travel over station entry cam 26 second cam follower 52 is guided, e.g., rolls, over a second entry cam 54, which pivots a second wheel arm 56 which unlocks the cage 20, thus allowing, the rider 22 to exit the cab 18. A handle may also be provided on the outside of cab 18 to manually release or open the cage 20. The handle is not reachable by a rider 22 while in the cab 18.

Figure 4A is a back view of the vehicle 14 taken along the direction of line 4A-4A in Figure 4. First entry cam 50 and second entry cam 54 are shown connected on either side of the station entry cam 26. The second sliding pad 36 can be seen sliding on station entry cam 26. Further, a support member 60 for station entry cam 26 is shown fixed to the ground 30.

Figures 5A and 5B illustrate how the first sliding pad 34 and the second sliding pad 36 operate to rotate the cab 18 into the loading/unloading position at the station entry 26. Only a simplified bottom portion of the cab 18 is shown for clarity. Security springs may be provided which resist rotation of the cab 18 from the riding position to the unloading/loading position.

Figure 5A illustrates the cab 18 in the riding position with the second sliding pad 36 sliding against the station entry cam 26. As the carriage 16 is moved in the direction of travel the second sliding pad 36 loses contact with the station entry cam 26 and the first sliding pad 34, as can be seen in Figure 5B, slides against the station entry cam 26 forcing the cab 18 to rotate relative to the carriage 16 to the loading/unloading position.

Figures 6 to 13 include photographs of an example embodiment of a roller coaster. Like numbers for like parts from Figures 1 to 5A are used for clarity.

Figure 6 shows a yellow molded cab 18 and the tubular cage 20 in an opened position. The cab 18 may be configured

to seat up to, e.g., four passengers in one row, two by two, right and left from the middle column. The cab 18 may be made from fiberglass and have foam parts for rider comfort. The cab 18 may also include hand grips and a ladder, made
5 from aluminum, for example. The track 12 may be made from steel, for example.

Figure 7 shows the cab 18 in a horizontal position and the carriage 16 suspended from the track 12. Each cab 18 includes two main wheels 64, two guide wheels 66 and two
10 up-stop wheels 68. Each of the wheels 64, 66 and 68 may be adjusted to track the track 12 as they begin to wear.

Figure 8 is a side view of the vehicle 14 just after it has passed over the station entry cam 26.

Figure 9 is a back view of the vehicle 14 just after it
15 has passed over the station entry cam 26.

Figures 10 to 13 are bottom perspective views of the cab 18.

In an example embodiment of a roller coaster according to the present invention, the station exit cam 24 and/or the
20 station entry cam 26 may be provided with one or more roller elements 27 along the surface that are contacted by the first and second sliding pads 34, 36. Thus, rather than sliding contact between the cams 24, 26 and the pad 34, 36 the pads 34, 36 roll along roller elements 27. The roller
25 elements 27 may be fabricated from, e.g., a chain-like system of elements, as illustrated in Figure 14. Figure 14 is a side elevational view of the station exit cam 24 and/or the station entry cam 26. The roller elements 27 may be arranged serially or in a staggered manner, as illustrated
30 in Figures 15 and 16, respectively. Figures 15 and 16 illustrate at top portion of the station exit cam 24 or station entry cam 26.

In an example embodiment of the roller coaster according to the present invention, illustrated in Figure
35 17, in place of the cams 24, 26 or sliding pads 34, 36 a

station exit follower 41, e.g., a roller or series of
rollers, may be arranged at the station exit and a station
entry follower, e.g., a roller or series of rollers, may be
arranged at the station entry. A cam or series of cams 39
5 may be provided on the underside of the cab 18.

In an example embodiment of the roller coaster
according to the present invention another mechanical,
magnetic, or electrical system, internal to the cab 18 or
provided stationary to the station, may be provided to
10 rotate the cab 18 between the loading/unloading position and
the riding position, e.g., a hydraulic lift, a pneumatic
lift, a cable hoist, chain hoist, geared transmission, screw
drive, magnet, piston, cylinder, linear motor, rotary motor,
screw jack, lever jack, ratchet mechanism, cantilever
15 mechanism, floatation mechanism, buoyancy mechanism, air-,
gas- or fluid-drive mechanisms, etc. Any combination of
mechanisms, including different mechanisms at station entry
and exit may be provided.

The cams of any of the above-described example
20 embodiments and/or the followers may wholly or partially be
formed of a lubricious material, e.g., a fluoropolymer,
PTFE, a material with a lubricant, a sintered material, an
impregnated material, etc. A lubricant or grease may be
provided between any of the cams and followers of the
25 above-described example embodiments.

WHAT IS CLAIMED IS:

1. A roller coaster, comprising:

a carriage;

a cab at least pivotally connected to the carriage, the cab at least rotatable relative to the carriage between a first position substantially parallel to a track and a second position non-parallel to the track; and

at least one of a station entry cam having a first predetermined profile and a station exit cam having a second predetermined profile;

wherein the cab includes a sliding pad mechanism configured to slide on at least one of the at least one of the station entry cam and the station exit cam to move the cab from a first one of the first position and the second position to a second one of the first position and the second position.

2. A roller coaster, comprising:

a track;

a carriage movable along the track;

a cab at least pivotally connected to the carriage, the cab at least rotatable relative to the carriage between a first position substantially parallel to the track and a second position non-parallel to the track; and

at least one of a station entry cam having a first predetermined profile and a station exit cam having a second predetermined profile;

wherein the cab includes a sliding pad mechanism configured to slide on at least one of the at least one of the station entry cam and the station exit cam to move the cab from a first one of the first position and the second position to a second one of the first position and the second position.

3. A roller coaster, comprising:

track means;

carriage means movable along the track means;

cab means at least pivotally connected to the carriage means, the cab means including means for at least rotating the cab relative to the carriage means between a first position substantially parallel to the track means and a second position non-parallel to the track means; and

at least one of station entry camming means and a station exit camming means;

wherein the cab means includes means for sliding on at least one of the at least one of the station entry camming means and the station exit camming means to move the cab means from a first one of the first position and the second position to a second one of the first position and the second position.

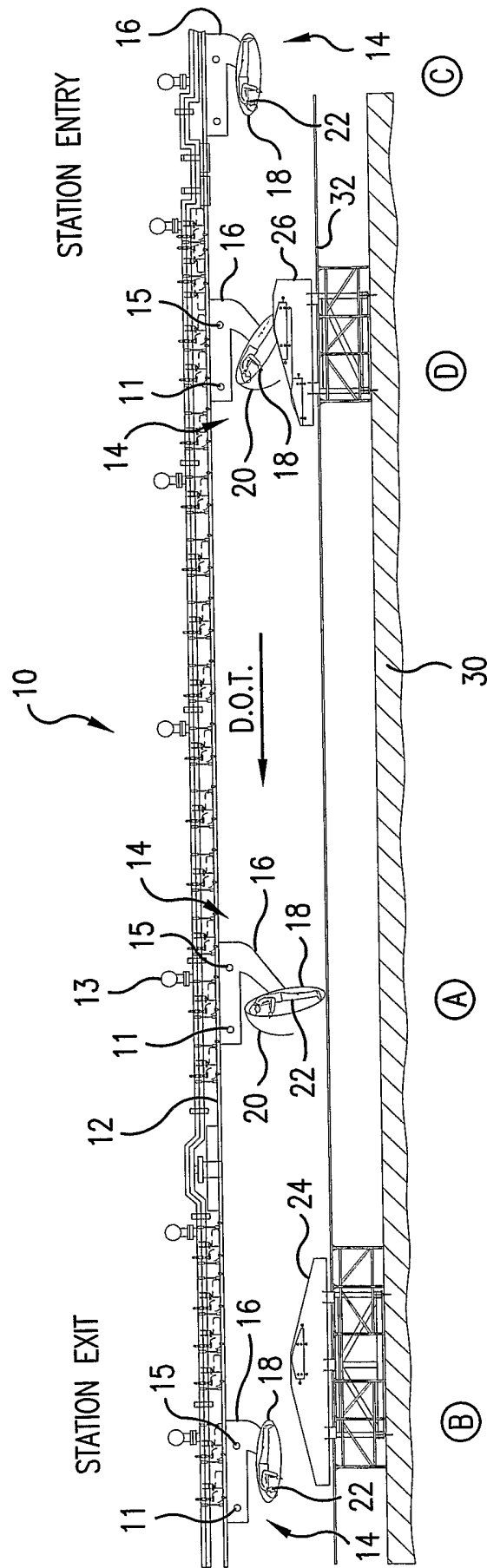


FIG.1

3/17

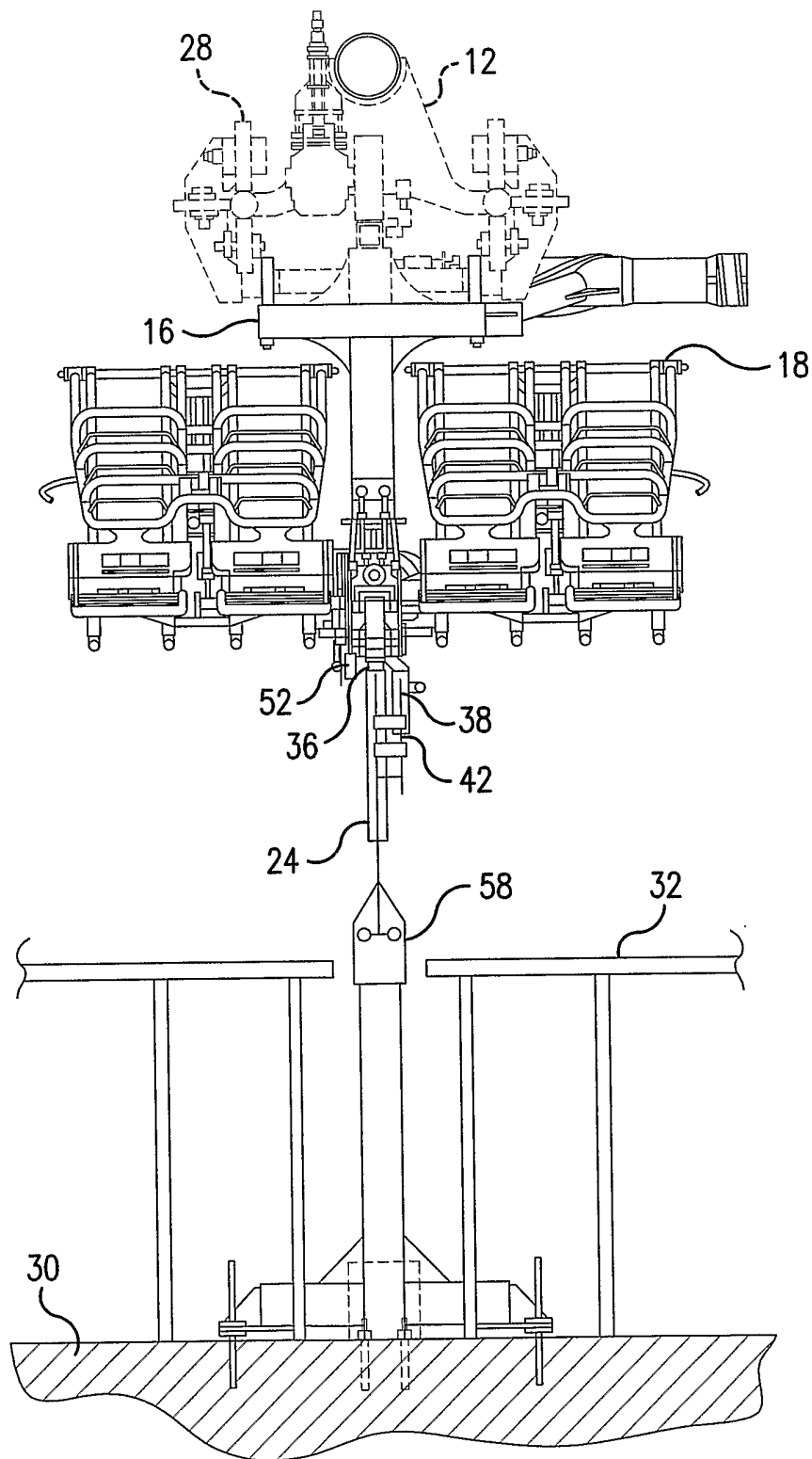


FIG.2A

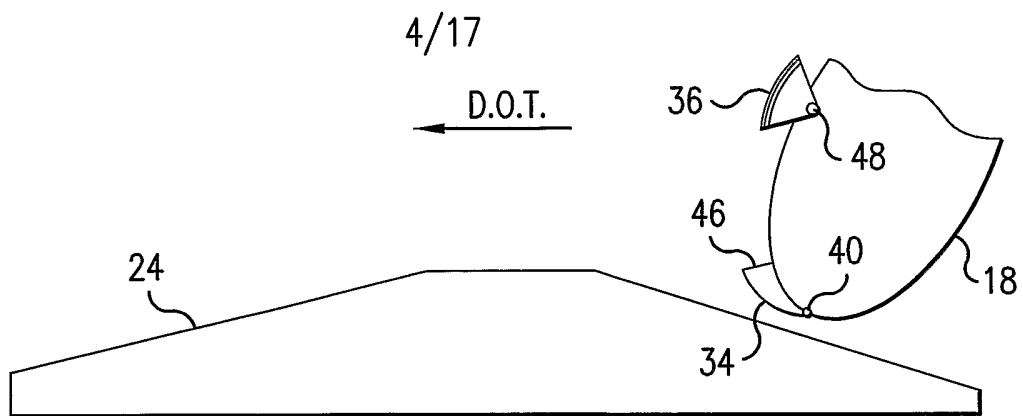


FIG. 3A

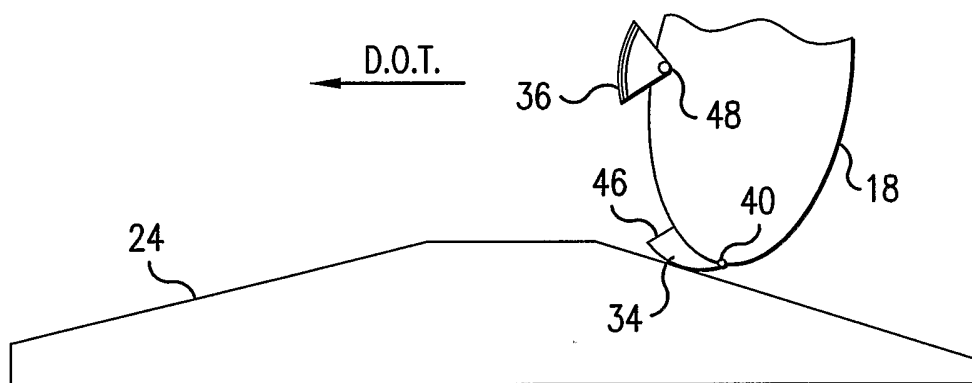


FIG. 3B

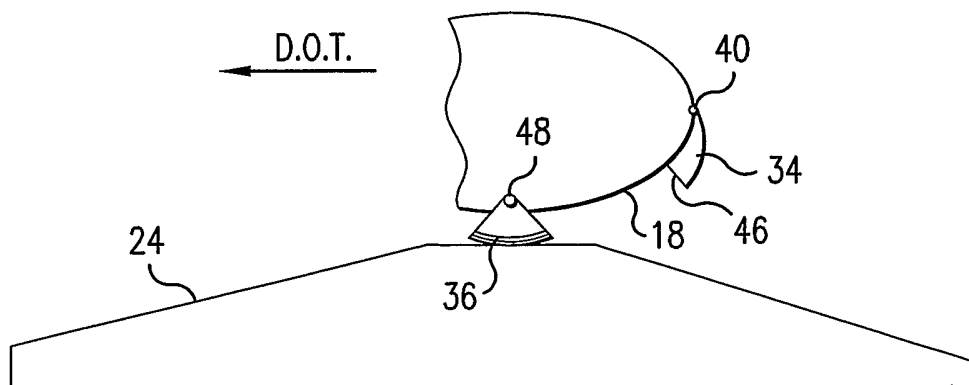


FIG. 3C

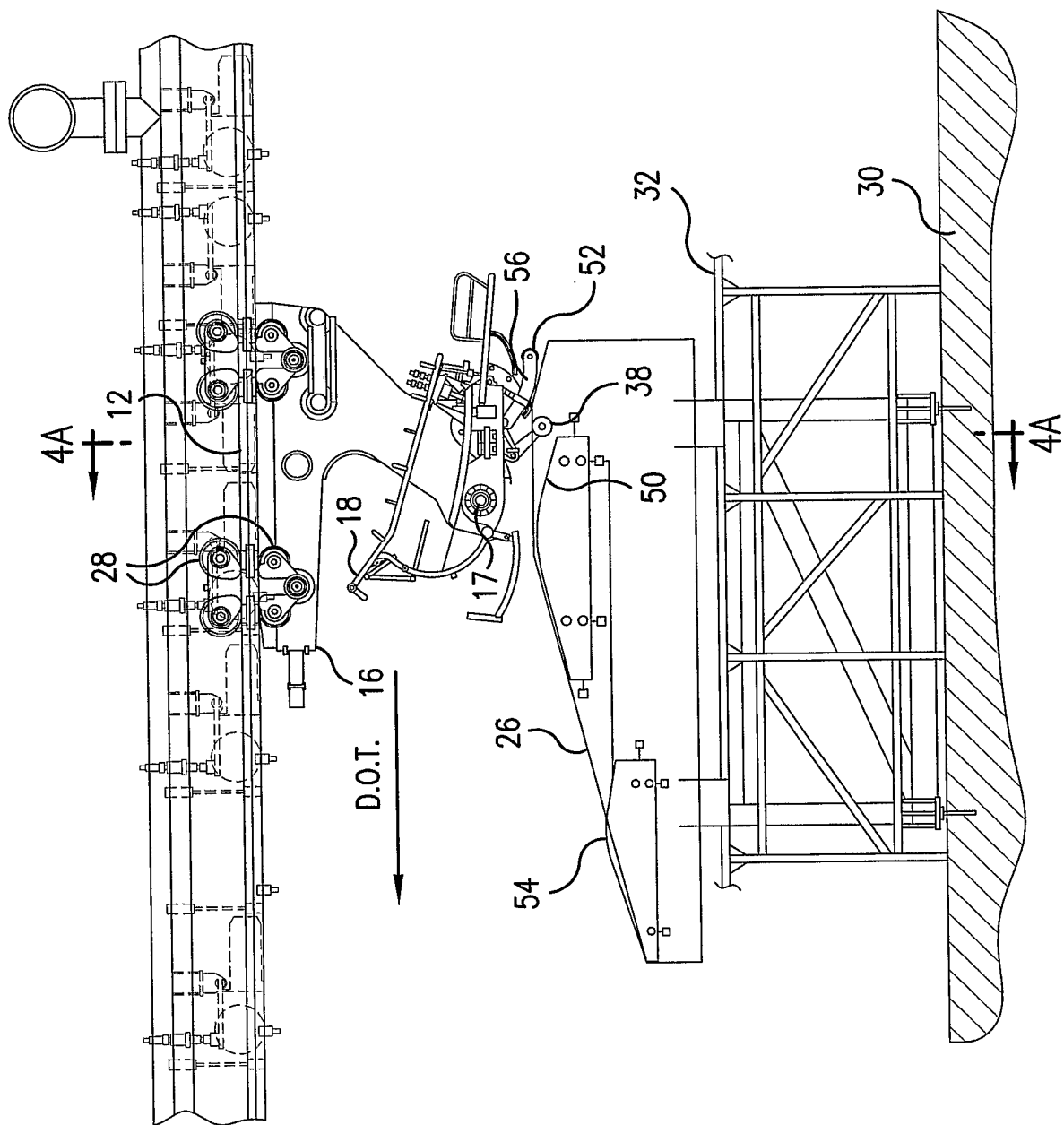


FIG. 4

6/17

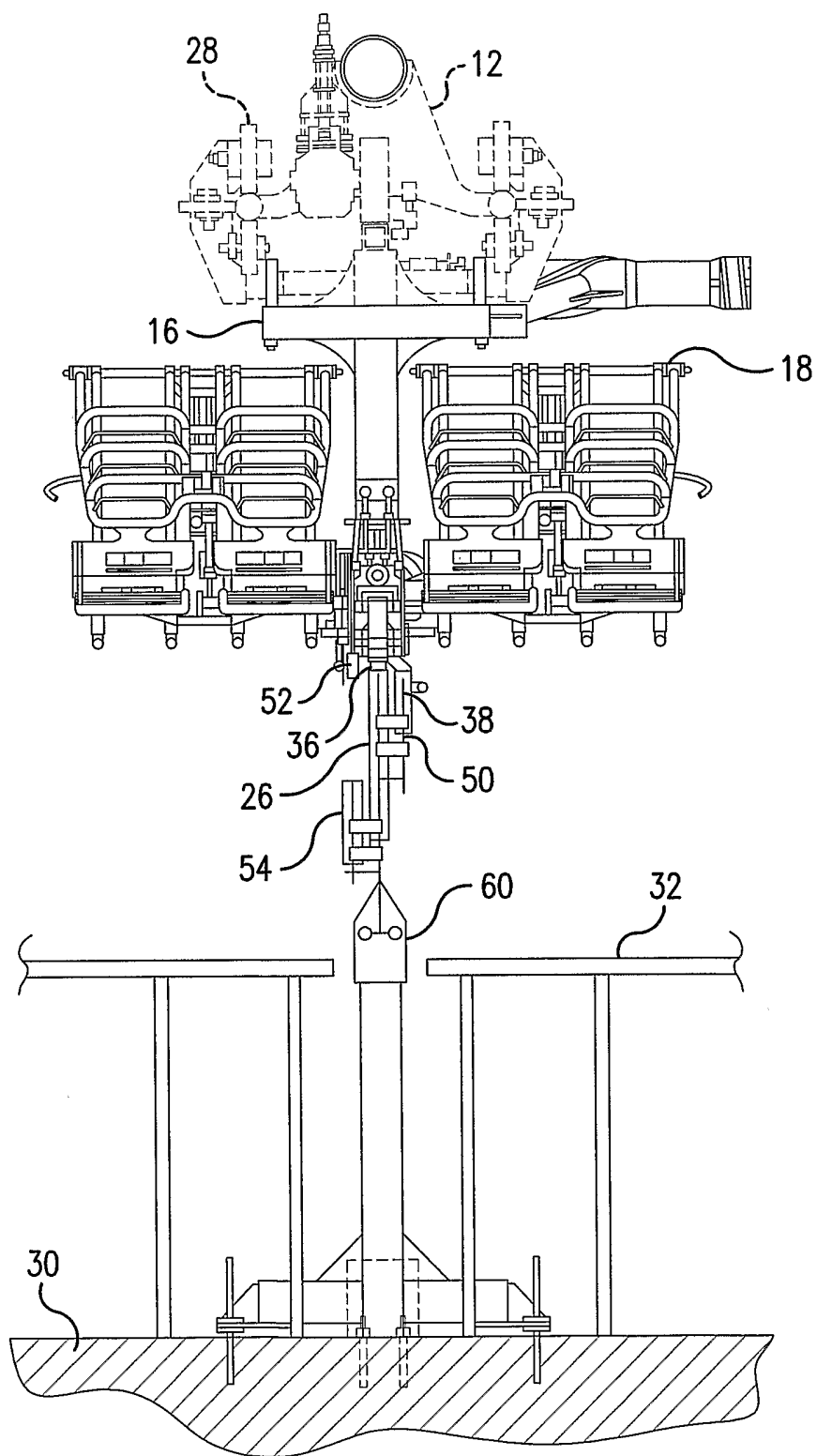


FIG.4A

7/17

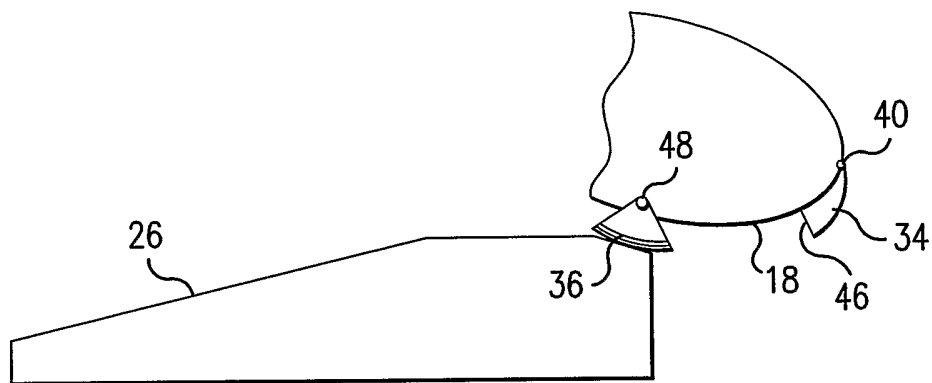


FIG. 5A

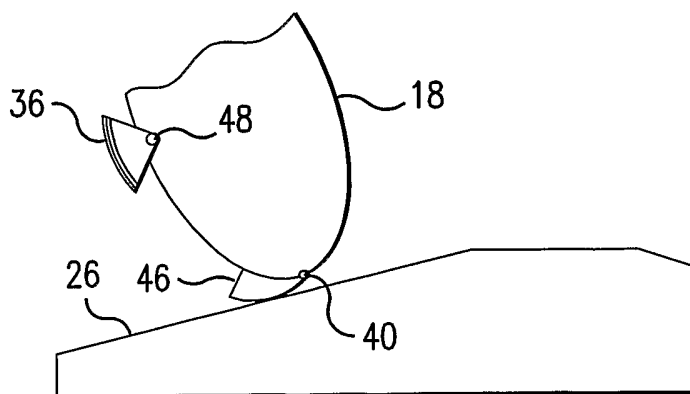


FIG. 5B

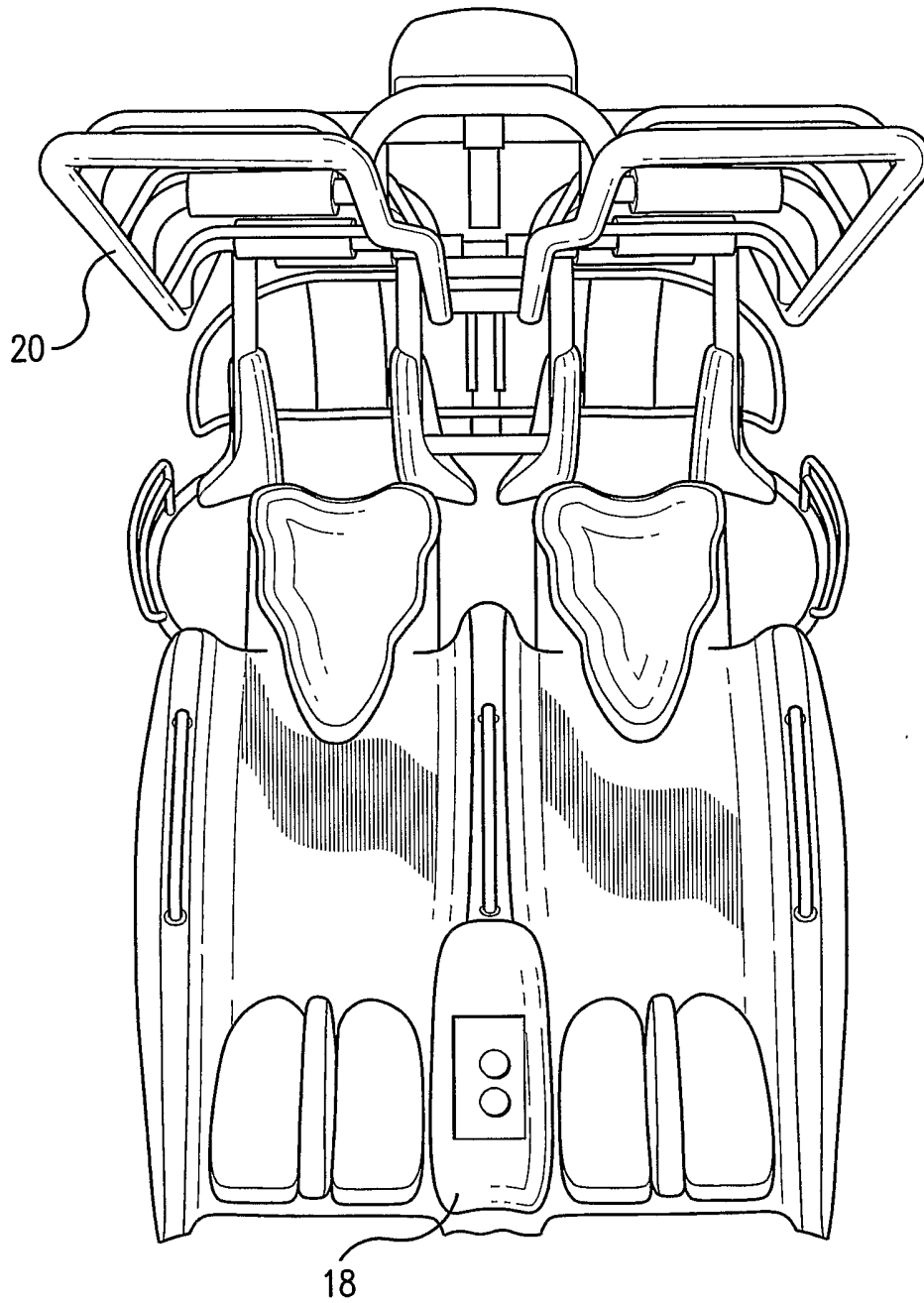
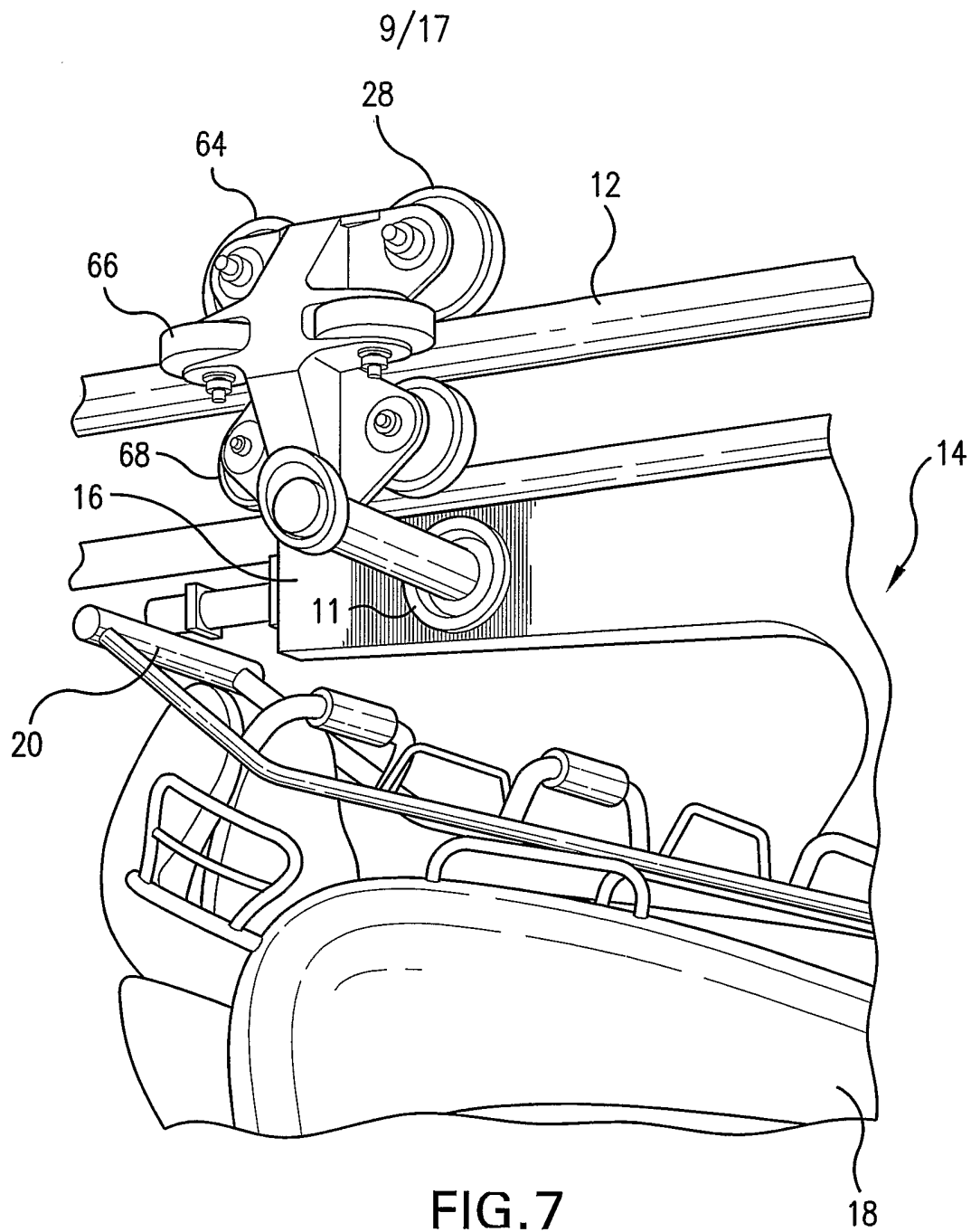


FIG. 6



10/17

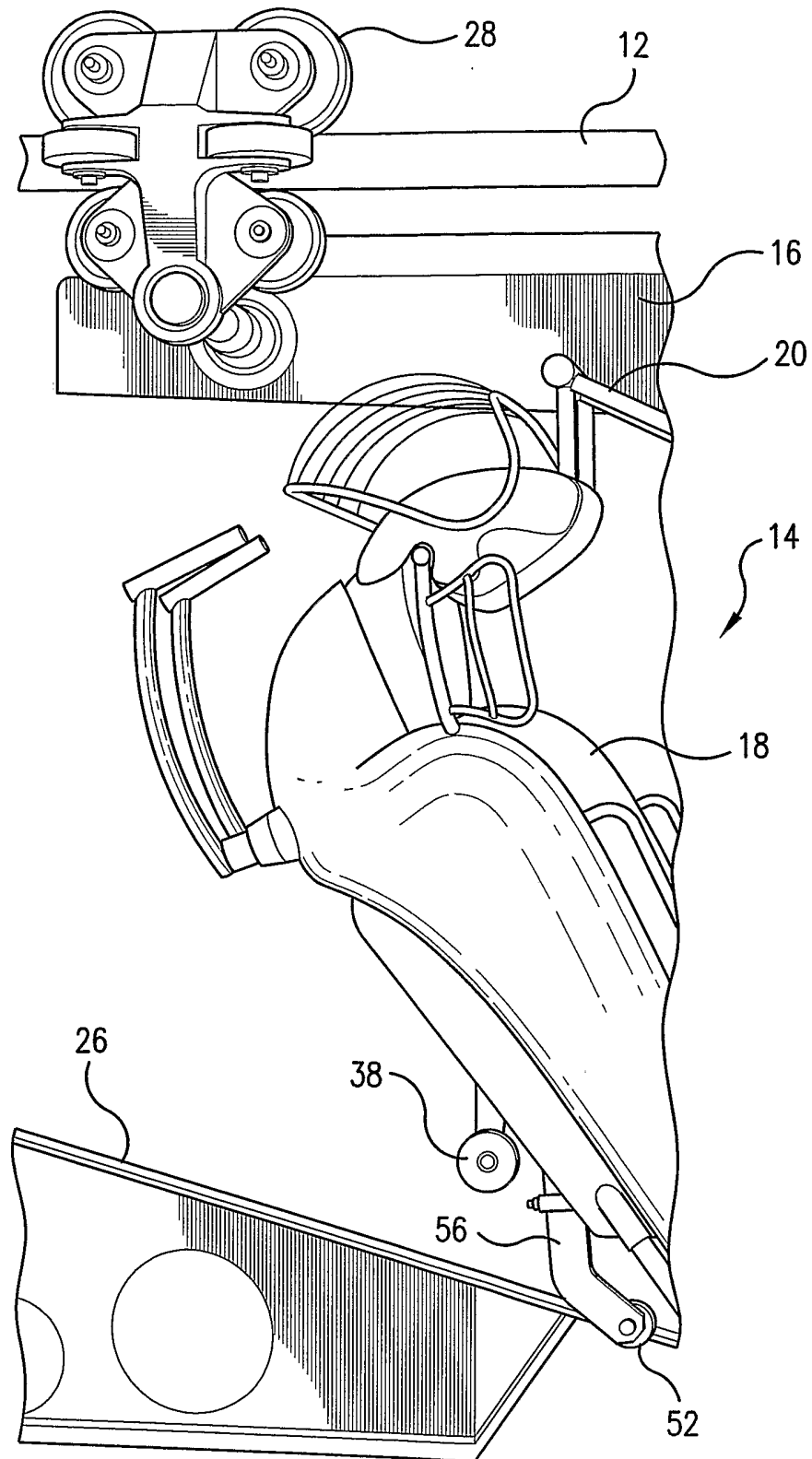


FIG. 8

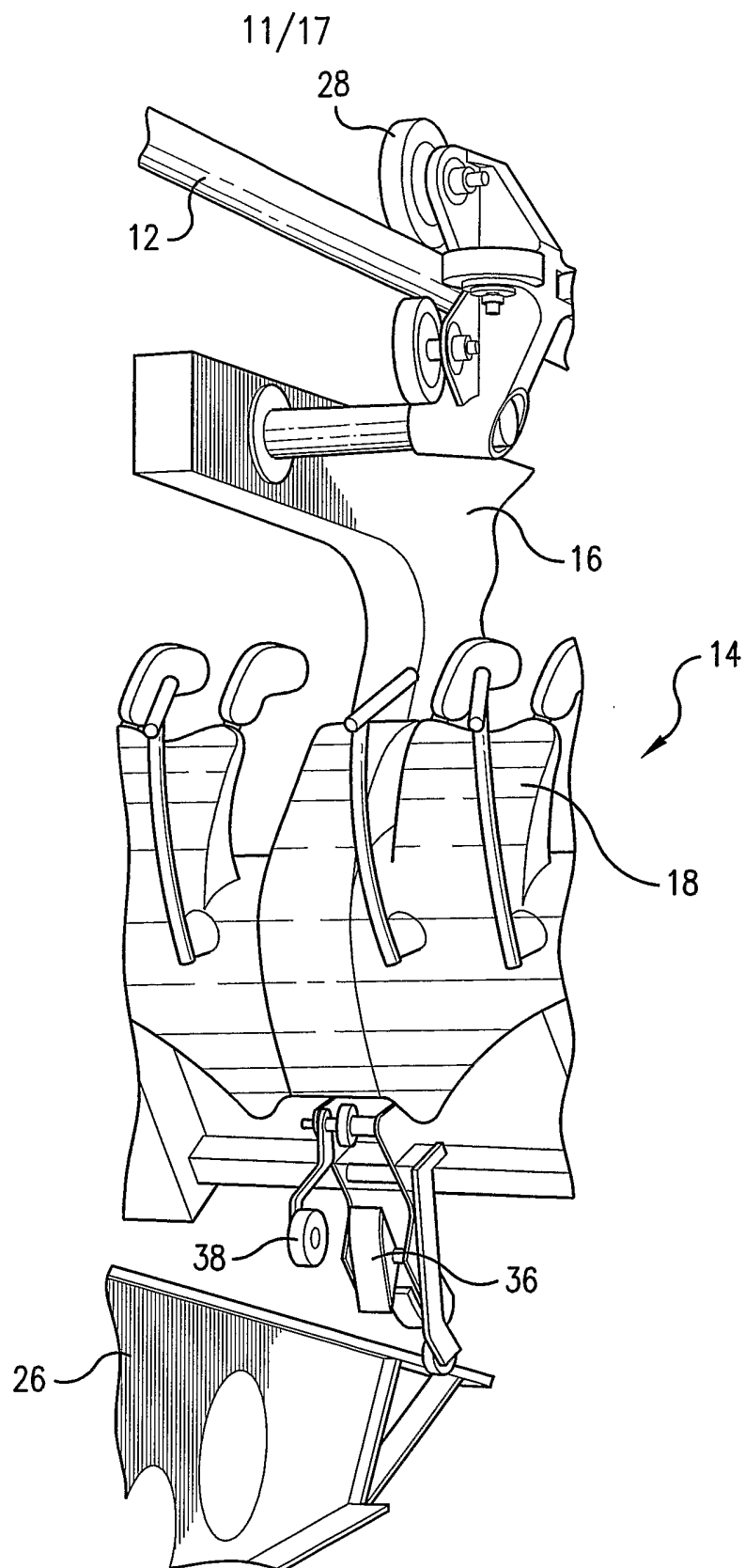
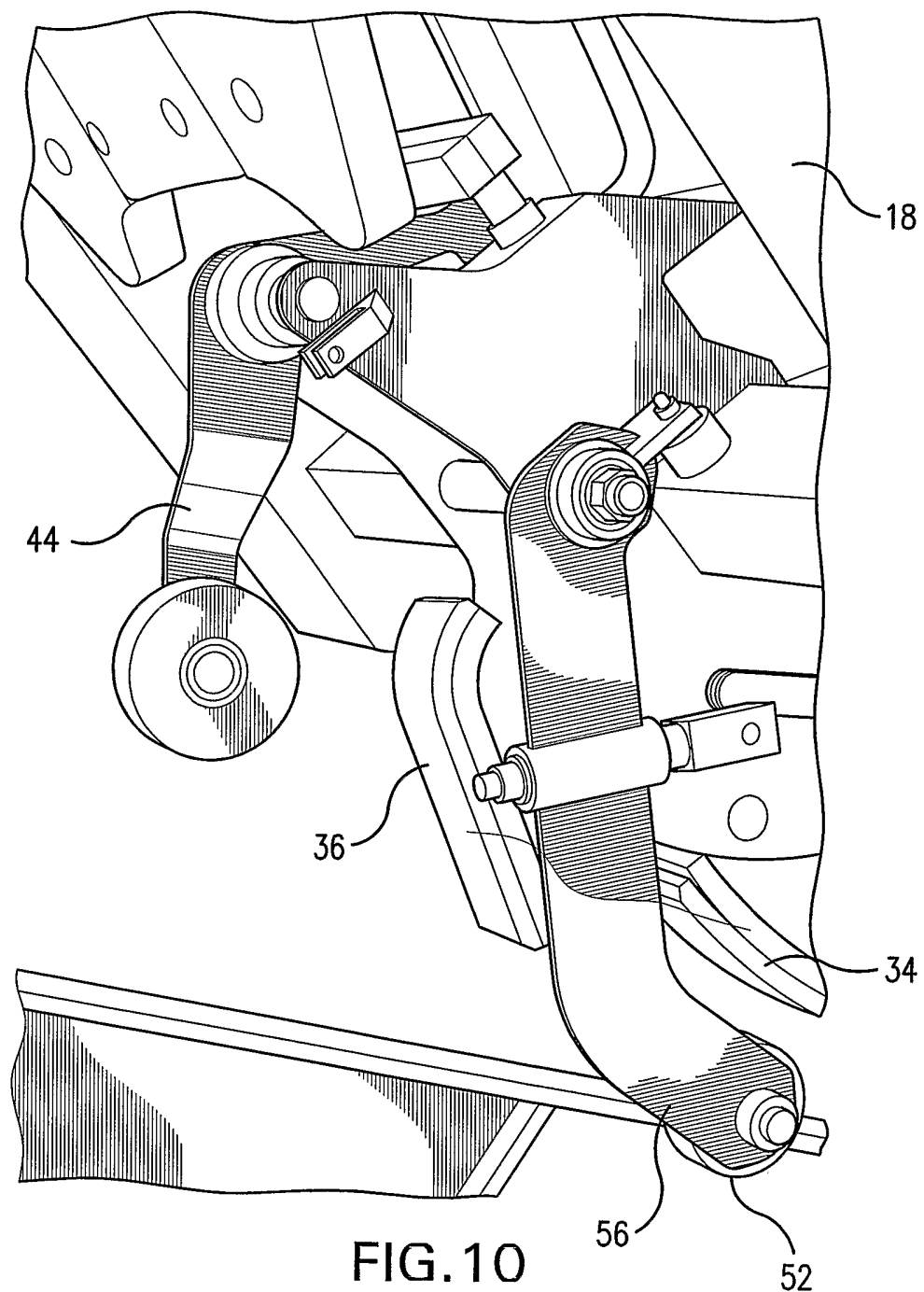


FIG. 9



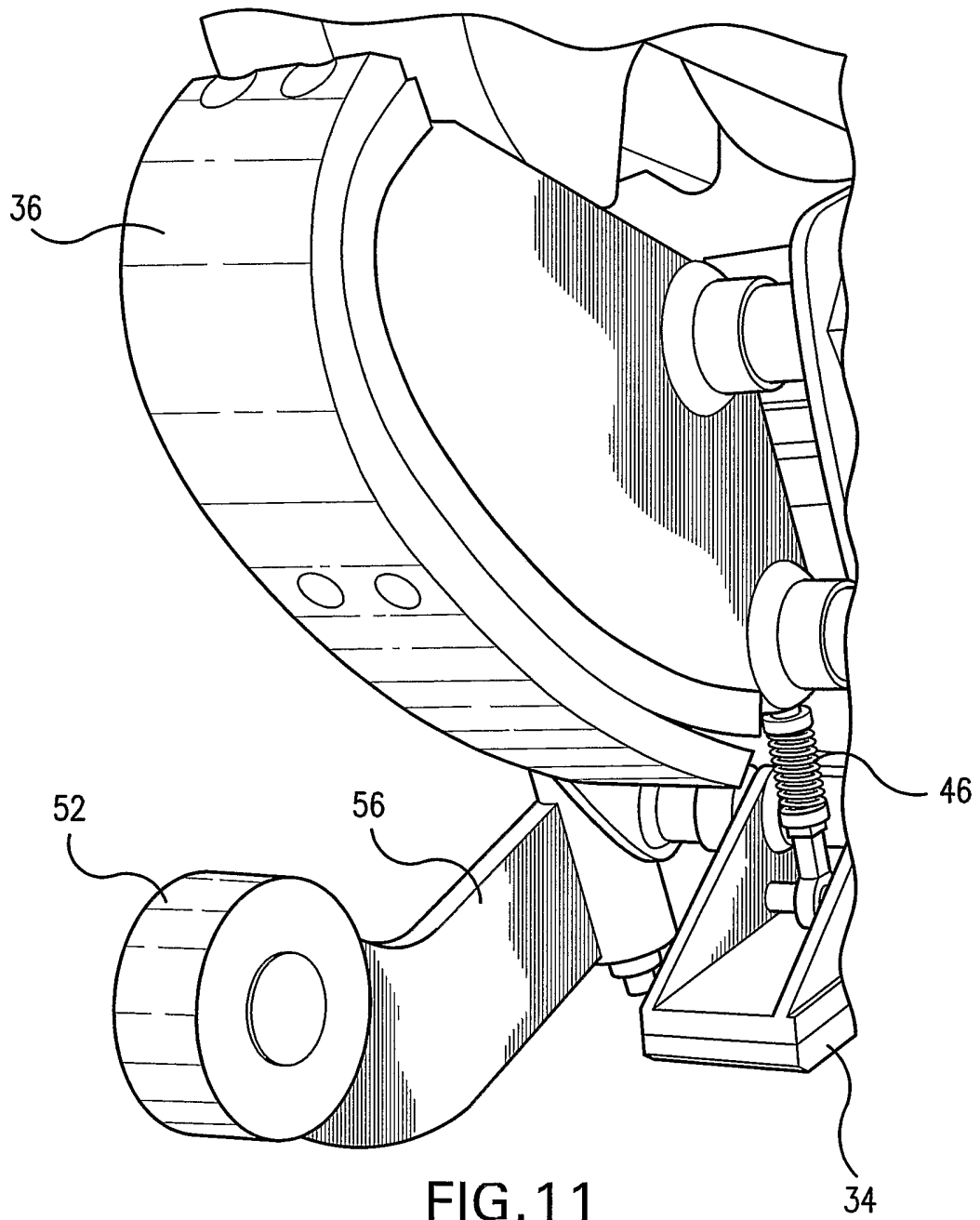


FIG. 11

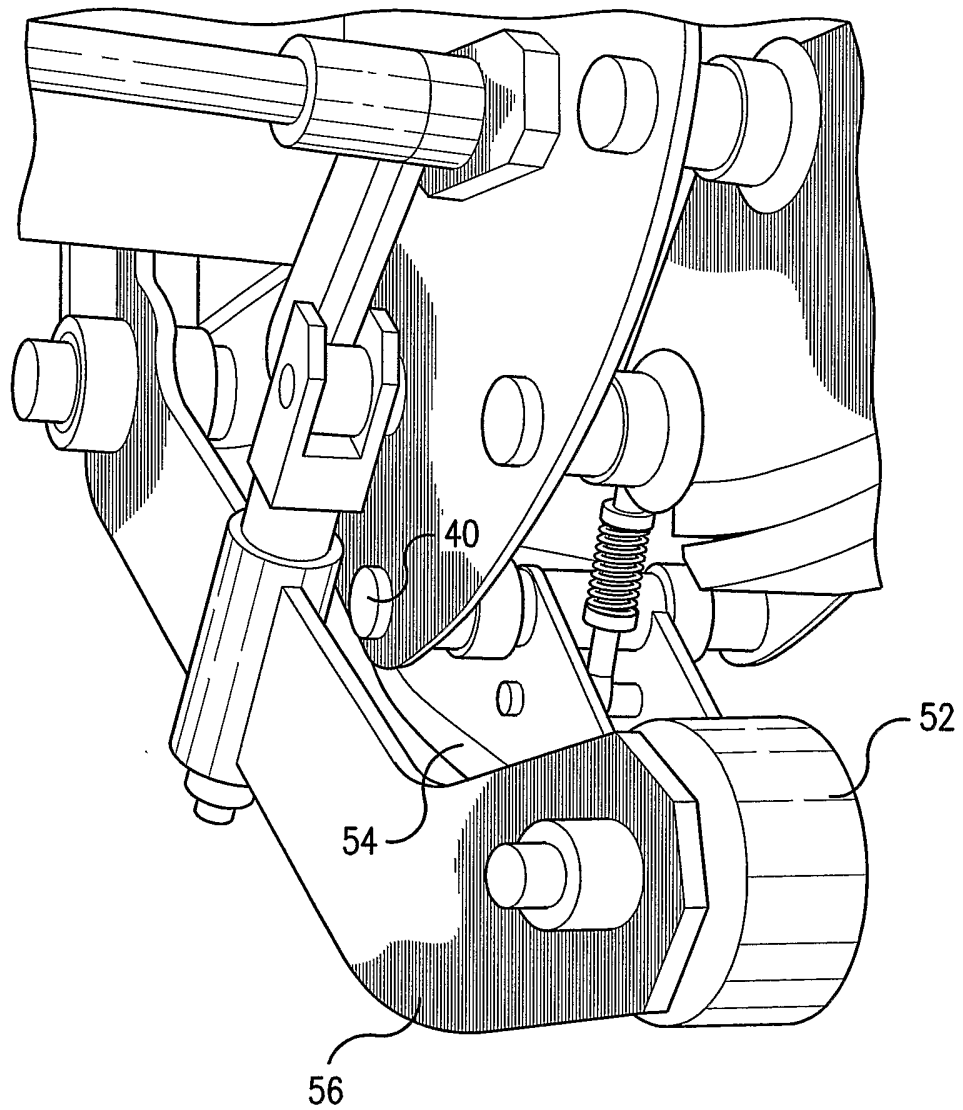


FIG. 12

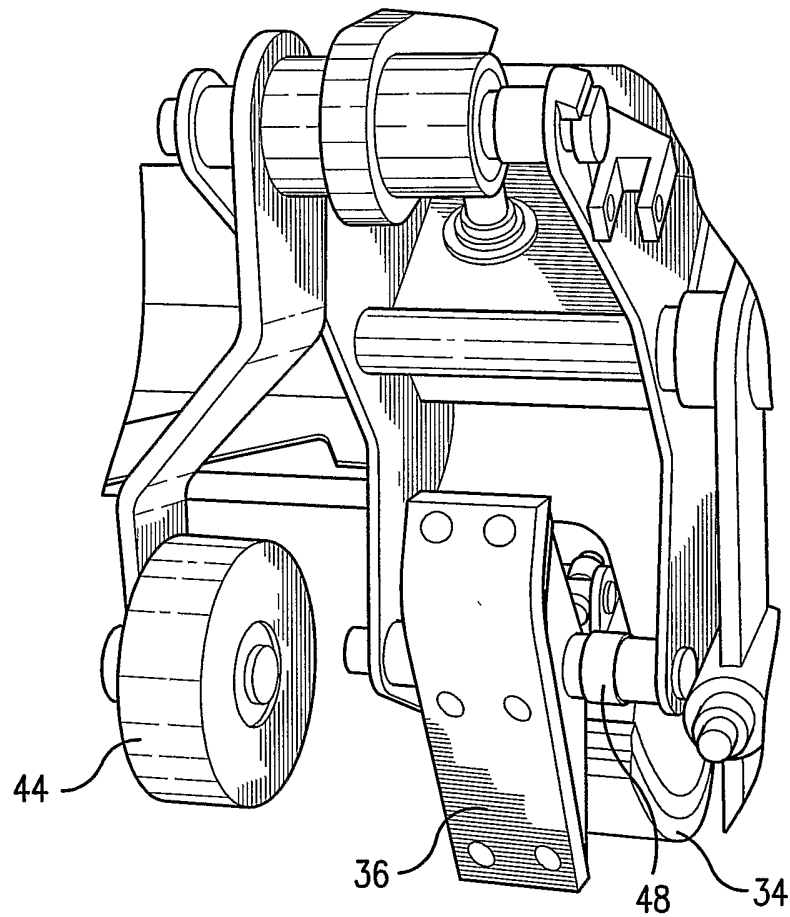


FIG. 13

16/17

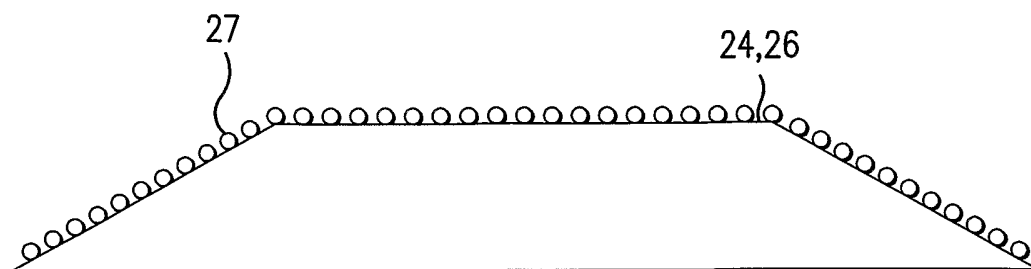


FIG. 14

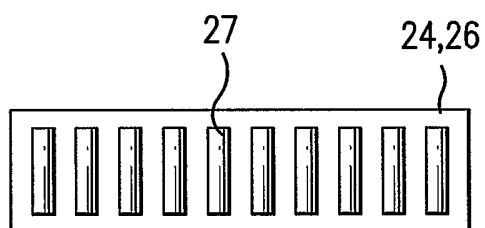


FIG. 15

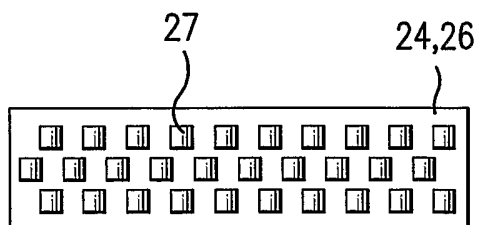


FIG. 16

17/17

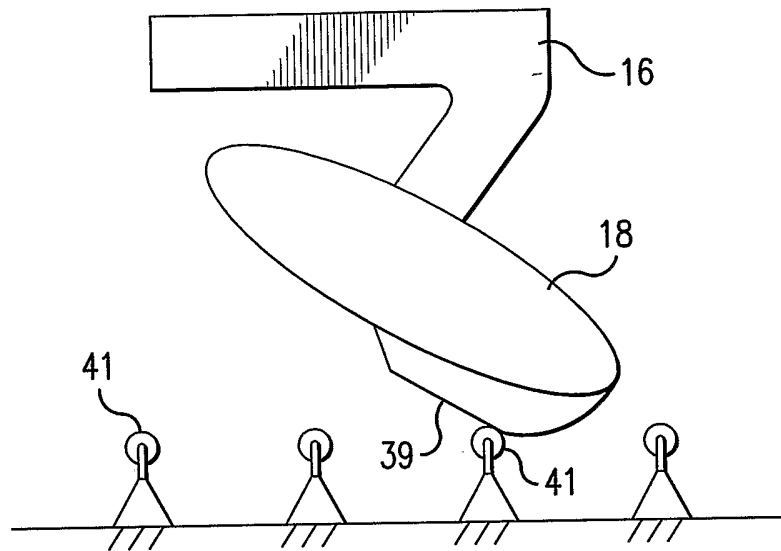


FIG. 17

INTERNATIONAL SEARCH REPORT

Inter Application No
PCT/1804/4400

A. CLASSIFICATION OF SUBJECT MATTER
IPC 7 A63G21/20

According to International Patent Classification (IPC) or to both national classification and IPC

B. FIELDS SEARCHED

Minimum documentation searched (classification system followed by classification symbols)
IPC 7 A63G

Documentation searched other than minimum documentation to the extent that such documents are included in the fields searched

Electronic data base consulted during the international search (name of data base and, where practical, search terms used)

EPO-Internal

C. DOCUMENTS CONSIDERED TO BE RELEVANT

Category °	Citation of document, with indication, where appropriate, of the relevant passages	Relevant to claim No.
X	WO 98/25678 A (SKYTRAK INTERNATIONAL LIMITED; MORGAN, DENNIS, WILLIAM; GEORGE, FRANK,) 18 June 1998 (1998-06-18) page 4, line 27 - page 6, line 20 figures 1-3	1-3
A	----- WO 99/22829 A (VEKOMA TECHNOLOGY B.V; CLERX, PETRUS, JOSEPH, HUBERTUS; PEETERS, CHRIS) 14 May 1999 (1999-05-14) the whole document	1-3
A	----- WO 99/22830 A (VEKOMA TECHNOLOGY B.V; CLERX, PETRUS, JOSEPH, HUBERTUS; PEETERS, CHRIS) 14 May 1999 (1999-05-14) the whole document	1-3
	----- -/--	

Further documents are listed in the continuation of box C.

Patent family members are listed in annex.

° Special categories of cited documents :

- *A* document defining the general state of the art which is not considered to be of particular relevance
- *E* earlier document but published on or after the international filing date
- *L* document which may throw doubts on priority claim(s) or which is cited to establish the publication date of another citation or other special reason (as specified)
- *O* document referring to an oral disclosure, use, exhibition or other means
- *P* document published prior to the international filing date but later than the priority date claimed

- *T* later document published after the international filing date or priority date and not in conflict with the application but cited to understand the principle or theory underlying the invention
- *X* document of particular relevance; the claimed invention cannot be considered novel or cannot be considered to involve an inventive step when the document is taken alone
- *Y* document of particular relevance; the claimed invention cannot be considered to involve an inventive step when the document is combined with one or more other such documents, such combination being obvious to a person skilled in the art.
- *&* document member of the same patent family

Date of the actual completion of the international search

Date of mailing of the international search report

30 March 2005

13/04/2005

Name and mailing address of the ISA

European Patent Office, P.B. 5818 Patentlaan 2
NL - 2280 HV Rijswijk
Tel. (+31-70) 340-2040, Tx. 31 651 epo nl,
Fax: (+31-70) 340-3016

Authorized officer

Turmo Peruga, R

INTERNATIONAL SEARCH REPORT

Inter Application No
PCT/1304/4400

C.(Continuation) DOCUMENTS CONSIDERED TO BE RELEVANT		
Category °	Citation of document, with indication, where appropriate, of the relevant passages	Relevant to claim No.
A	WO 01/10524 A (HUSS MASCHINENFABRIK GMBH & CO. KG; SCHNIEDERS, THOMAS; SCHOELLHAMMER,) 15 February 2001 (2001-02-15) the whole document -----	1-3
A	WO 00/40315 A (HUSS MASCHINENFABRIK GMBH & CO. KG; SCHNIEDERS, THOMAS; SCHOELLHAMMER,) 13 July 2000 (2000-07-13) the whole document -----	1-3

INTERNATIONAL SEARCH REPORT

Information on patent family members

International Application No

PCT/1804/1000

Patent document cited in search report		Publication date	Patent family member(s)	Publication date
WO 9825678	A	18-06-1998	AU 3702297 A	03-07-1998
			DE 69717671 D1	16-01-2003
			EP 0952879 A1	03-11-1999
			WO 9825678 A1	18-06-1998
WO 9922829	A	14-05-1999	NL 1007410 C2	04-05-1999
			AT 276814 T	15-10-2004
			AU 1056499 A	24-05-1999
			DE 69826509 D1	28-10-2004
			EP 1027113 A1	16-08-2000
			JP 2001521800 T	13-11-2001
			WO 9922829 A1	14-05-1999
			US 6405655 B1	18-06-2002
WO 9922830	A	14-05-1999	NL 1007411 C2	04-05-1999
			AT 216620 T	15-05-2002
			AU 1056599 A	24-05-1999
			DE 69805091 D1	29-05-2002
			DE 69805091 T2	05-12-2002
			EP 1027114 A1	16-08-2000
			JP 2001521801 T	13-11-2001
			WO 9922830 A1	14-05-1999
			US 6513441 B1	04-02-2003
			WO 0110524	A
WO 0110524 A1	15-02-2001			
EP 1207949 A1	29-05-2002			
JP 2003506170 T	18-02-2003			
WO 0040315	A	13-07-2000	DE 29900098 U1	31-05-2000
			WO 0040315 A1	13-07-2000
			EP 1140307 A1	10-10-2001
			JP 2002534175 T	15-10-2002